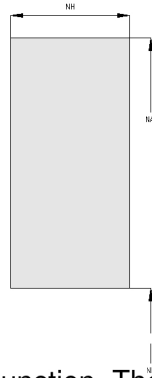


Profile Data

Back-Up Ring BUR08



Function

Back-up rings do not have a sealing function. They are designed to prevent elastic sealing elements such as O-Rings or Quad Rings of gap extrusion.

Features

- ⇒ Normally cut at an angle for easy installation, but also available as non-split version.
- ⇒ Low dynamic friction.
- ⇒ Low break-away forces after long standstills.
- ⇒ Activated back-up rings reduce gap extrusion and prevent twisting of the seal in the groove.

Application

dynamic and static applications in reciprocating pistons and rods in hydraulic cylinders, plungers, etc.

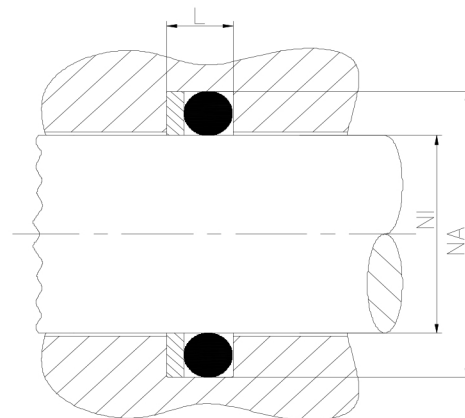
Unfavourable tolerances and wide gap dimensions.
Intensely pulsating pressures and pressure change.

Installation

Snap-in installation; split or unsplit

Seal housing recommendation

Tolerances	[mm]	
L < 10mm	+ 0.2	
L ≥ 10mm	+ 0.3	
∅ NA	H8	
∅ NI	h9	
Surface roughness	Rtmax [μ]	Ra [μ]
Bottom of groove	≤ 6.3	≤ 1.6
Face of groove	≤ 15	≤ 3
Sliding surface	Rtmax [μ]	Ra [μ]
PU, elastomer	≤ 2.5	≤ 0.1-0.5
PTFE	≤ 2	≤ 0.05-0.3



Sealco House, Maypole Fields Halesowen, West Midlands, UK, B63 2QB

T: (+44)1384 413058 E: sales@sealco.co.uk W: www.sealco.co.uk