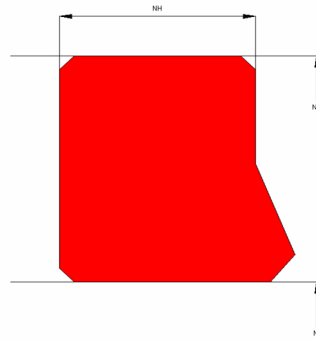


Profile Data

Flange Seal FL02B



General

The Flange Seals FL02B is a simple designed assymetric seal for a wide range of static applications. Common sealing edge on the gap side for improved sealing performance.

Features

- ⇒ Especially designed for pressure from inside.
- ⇒ Simple seal design maintain low costs.
- ⇒ Variable dimesions to be used also in special dimensioned grooves.
- ⇒ Sealing over a wide range of pressures, temperatures and tolerances.
- ⇒ Wide application ranges.
- ⇒ Simple mounting.
- ⇒ Compact and simple grooves.
- ⇒ Easy and cost saving constructions possible.

Application

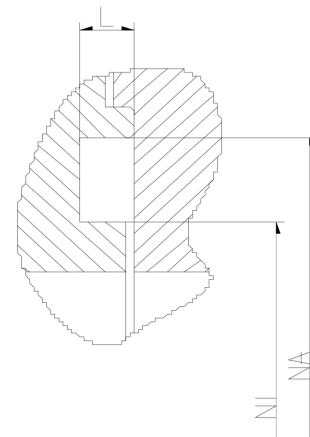
Static sealing (e.g. flanges)

Installation

Snap-in installation

Seal housing recommendation

Tolerances	[mm]	
L < 10mm	+ 0.2	
L ≥ 10mm	+ 0.3	
∅ NA	H8	
∅ NI	f7	
Surface roughness	Rtmax [μ]	Ra [μ]
Bottom of groove	≤ 6.3	≤ 1.6
Face of groove	≤ 15	≤ 3
Sliding surface	Rtmax [μ]	Ra [μ]
	≤ 6,3	≤ 1,6



Sealco House, Maypole Fields Halesowen, West Midlands, UK, B63 2QB

T: (+44)1384 413058 E: sales@sealco.co.uk W: www.sealco.co.uk