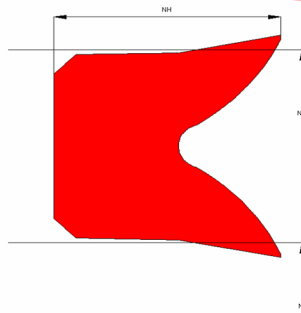


# Profile Data

## Symmetrical Seal PRS06B



### Function

Symmetrical piston/rod seals are designed to seal the pressurized hydraulic fluid against the atmosphere or between two pressurized spaces.

### Features

- ⇒ Symmetrical, single acting piston/rod seal
- ⇒ Sharp lips on ID and OD.
- ⇒ Good static and dynamic sealing performance.
- ⇒ Good performance in low pressure conditions.
- ⇒ Useable for long stroke lengths.
- ⇒ Out-of date profile; only used in old machineries.
- ⇒ Poor sealing that causes a relative thick oil film.

### Application

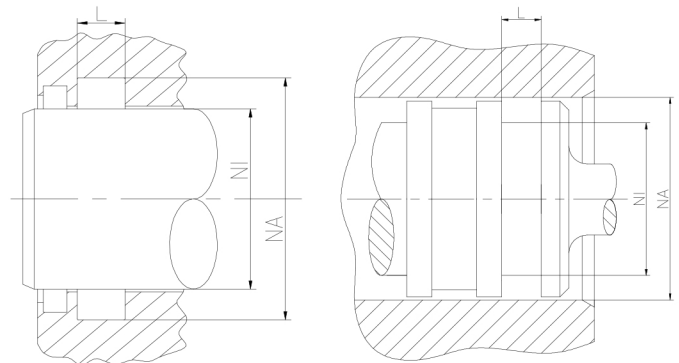
Reciprocating pistons/rods in hydraulic cylinders, plungers etc.  
Max. pressure 400 bar, max. speed 0.5 m/s.

### Installation

Snap-in installation.

### Seal housing recommendation

<b>Tolerances</b>	<b>[mm]</b>	
L < 10mm	+ 0.2	
L ≥ 10mm	+ 0.3	
∅ NA (rod groove)	H10	
∅ NI (rod diam.)	f8	
∅ NA (cylinder diam.)	H9	
∅ NI (piston groove)	h10	
<b>Surface roughness</b>	<b>Rtmax [μ]</b>	<b>Ra [μ]</b>
Bottom of groove	≤ 6.3	≤ 1.6
Face of groove	≤ 15	≤ 3
<b>Sliding surface</b>	<b>Rtmax [μ]</b>	<b>Ra [μ]</b>
PU, elastomeres	≤ 2.5	≤ 0.1-0.5
PTFE	≤ 2	≤ 0.05-0.3



Sealco House, Maypole Fields Halesowen, West Midlands, UK, B63 2QB

T: (+44)1384 413058 E: sales@sealco.co.uk W: www.sealco.co.uk