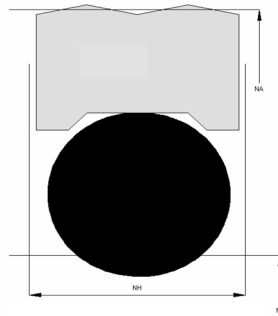


Profile Data

Piston Seal PS08F



Function

Piston seals are designed to seal the pressurized hydraulic fluid against the atmosphere or between two pressurized spaces.

Features

- ⇒ Symmetrical, double acting piston seal, designed with interference of the O-Ring on the ID and slight interference of the glide ring on the OD.
- ⇒ Glide ring commonly made in hard grade Polyurethane (PU-D57).
- ⇒ Excellent sealing performance in low and high speeds.
- ⇒ Suitable for positioning functions.
- ⇒ Negligible tendency to “stick-slip” effect, good sliding properties.
- ⇒ Low break-away load after long standstills.
- ⇒ Excellent gap extrusion resistance.

Application

Reciprocating pistons in hydraulic cylinders, plungers.

Dynamic seals in hydraulic systems.

Max. pressure 250 bar, max. speed 1 m/s (PU-D57)

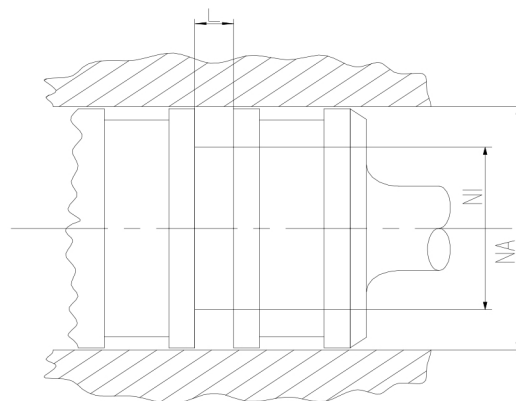
Max. pressure 400 bar, max. speed 10 m/s (PTFE Materials)

Installation

Snap-in installation.

Attention: PTFE glide rings needs calibration after installation!

Tolerances	[mm]	
NL < 10mm	+ 0.2	
NL ≥ 10mm	+ 0.3	
∅ NA	H 8	
∅ NI	h 8	
Surface roughness	Rtmax [μ]	Ra [μ]
Bottom of groove	≤ 6.3	≤ 1.6
Face of groove	≤ 15	≤ 3
Sliding surface	Rtmax [μ]	Ra [μ]
PU, elastomer	≤ 2.5	≤ 0.1-0.5
PTFE	≤ 2	≤ 0.05-0.3



Sealco House, Maypole Fields Halesowen, West Midlands, UK, B63 2QB

T: (+44)1384 413058 E: sales@sealco.co.uk W: www.sealco.co.uk