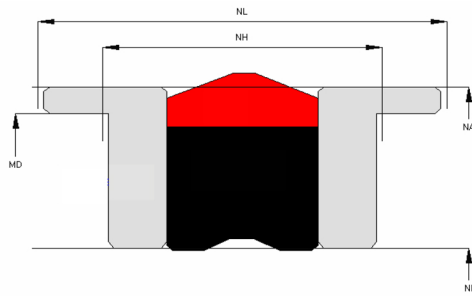


Profile Data

Piston Seal PS09



Function

Compact piston seal set, designed to seal the hydraulic fluid between two pressurized spaces, preventing the flow of the fluid to the other side and transforming the pressure force into the movement.

Features

- ⇒ Double acting piston seal, designed with interference on the ID which provides a good static fit in the groove.
- ⇒ Consisting of one gliding, energizing and two guiding/back-up elements.
- ⇒ Useable for short and long stroke lengths.
- ⇒ Good static and dynamic sealing performance.
- ⇒ High frictional force.

Application

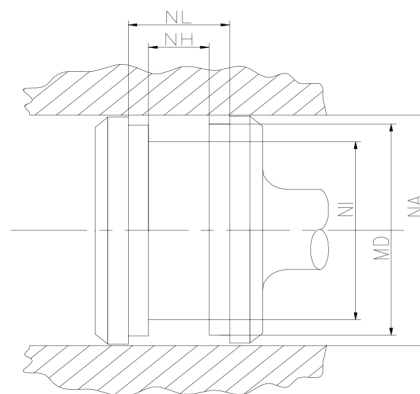
Reciprocating pistons in hydraulic cylinders.
 Universal piston seal for double-acting cylinders.
 Max. pressure 400 bar, max. speed 0.5 m/s.

Installation

Snap-in installation.
 The deformation of the energizing element during installation should not exceed 30% - risk of permanent deformation!

Seal housing recommendation

Tolerances		[mm]	
NL		+ 0.2	
NH		+ 0.2	
∅ NA		H9	
∅ NI		h10	
Surface roughness		Rtmax [μ]	Ra [μ]
Bottom of groove		≤ 6.3	≤ 1.6
Face of groove		≤ 15	≤ 3
Sliding surface		Rtmax [μ]	Ra [μ]
PU, elastomer		≤ 2.5	≤ 0.1-0.5
PTFE		≤ 2	≤ 0.05-0.3



Sealco House, Maypole Fields Halesowen, West Midlands, UK, B63 2QB

T: (+44)1384 413058 E: sales@sealco.co.uk W: www.sealco.co.uk