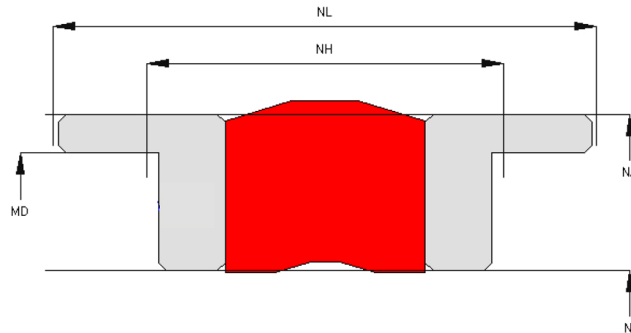


# Profile Data

## Piston Seal PS17A



### Function

Compact piston seal set, designed to seal the hydraulic fluid between two pressurized spaces, preventing the flow of the fluid to the other side and transforming the pressure force into the movement.

### Features

- ⇒ Double acting piston seal, designed with interference on the ID which provides a good static fit in the groove.
- ⇒ Consisting of one sealing and two guiding/back-up elements.
- ⇒ Useable for short and long stroke lengths.
- ⇒ Good dynamic and static sealing performance.
- ⇒ High frictional force.

### Application

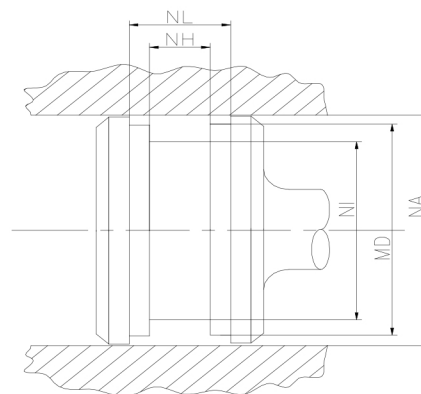
Reciprocating pistons in hydraulic cylinders.  
 Universal piston seal for double-acting cylinders.  
 Max. pressure 400 bar, max. speed 0.5 m/s.

### Installation

Snap-in installation.  
 Recommended for cross sections up to approx. 10mm.

### Seal housing recommendation

Tolerances		[mm]	
NL		+ 0.2	
NH		+ 0.2	
∅ NA		H9	
∅ NI		h10	
<b>Surface roughness</b>			
	<b>Rtmax [μ]</b>	<b>Ra [μ]</b>	
Bottom of groove	≤ 6.3	≤ 1.6	
Face of groove	≤ 15	≤ 3	
<b>Sliding surface</b>			
	<b>Rtmax [μ]</b>	<b>Ra [μ]</b>	
PU, elastomer	≤ 2.5	≤ 0.1-0.5	
PTFE	≤ 2	≤ 0.05-0.3	



Sealco House, Maypole Fields Halesowen, West Midlands, UK, B63 2QB

T: (+44)1384 413058 E: sales@sealco.co.uk W: www.sealco.co.uk