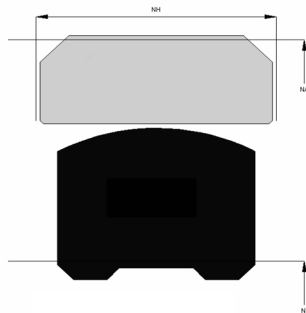


Profile Data Piston Seal PS81



Function

Piston seals are designed to seal the pressurized hydraulic fluid against the atmosphere or between two pressurized spaces.

Features

- ⇒ Symmetrical, double acting piston seal, designed with interference of the preload element on the ID and slight interference of the PTFE glide ring on the OD.
- ⇒ High pressure force because of a machined rubber preload element. Less relative movement of the rubber part compared to an O-Ring giving the seal a higher wear resistance.
- ⇒ Excellent sealing performance in low and high speeds.
- ⇒ Suitable for positioning functions.
- ⇒ Negligible tendency to “stick-slip” effect, good sliding properties.
- ⇒ Low break-away load after long standstills.
- ⇒ Excellent gap extrusion resistance.
- ⇒ Can be used in grooves where no O-Ring is possible.

Application

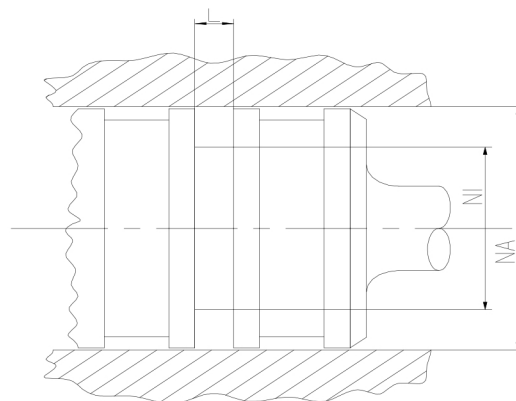
Reciprocating pistons in hydraulic cylinders, plungers in heavy-duty applications.
Max. pressure 400 bar, max. speed 10 m/s.

Installation

Snap-in installation.

Attention: PTFE glide rings needs calibration after installation!

| Tolerances | [mm] | |
|--------------------------|------------------|---------------|
| NL < 10mm | + 0.2 | |
| NL ≥ 10mm | + 0.3 | |
| ∅ NA | H 8 | |
| ∅ NI | h 8 | |
| | | |
| Surface roughness | Rtmax [μ] | Ra [μ] |
| Bottom of groove | ≤ 6.3 | ≤ 1.6 |
| Face of groove | ≤ 15 | ≤ 3 |
| | | |
| Sliding surface | Rtmax [μ] | Ra [μ] |
| PU, elastomer | ≤ 2.5 | ≤ 0.1-0.5 |
| PTFE | ≤ 2 | ≤ 0.05-0.3 |



Sealco House, Maypole Fields Halesowen, West Midlands, UK, B63 2QB

T: (+44)1384 413058 E: sales@sealco.co.uk W: www.sealco.co.uk