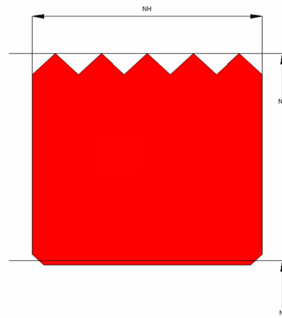


Profile Data

Rotary Seal R05



Function

Rotary seals are designed to seal the pressurized hydraulic fluid against the atmosphere, preventing leakage and pollution of the environment or to transfer liquids and/or gases from a stationary part into or out of rotating machinery.

Features

- ⇒ Asymmetrical, double acting rotary seal, designed with interference on the ID which provides a good static fit in the groove.
- ⇒ Dynamic sealing on the OD.
- ⇒ Excellent static and dynamic sealing performance.
- ⇒ Low friction.

Application

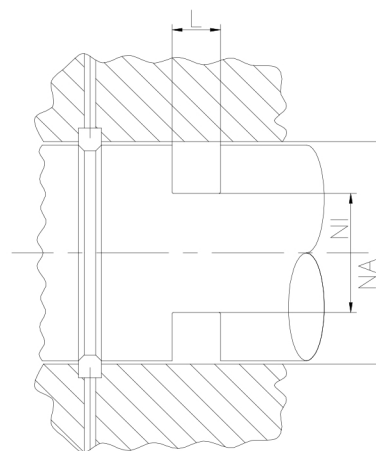
Slow moving shafts, pivoting movements, revolving distributors, swivel joints.
 Universal rotary seal for minor work loads.
 Max. pressure 160 bar, max. speed 0.2 m/s.

Installation

Snap-in installation.

Seal housing recommendation

Tolerances	[mm]	
L	+ 0.2	
∅ NA	H 8	
∅ NI	f 8	
Surface roughness	Rtmax [μ]	Ra [μ]
Bottom of groove	≤ 6.3	≤ 1.6
Face of groove	≤ 15	≤ 3
Sliding surface	Rtmax [μ]	Ra [μ]
PU, elastomers	≤ 2.5	≤ 0.1-0.5
PTFE	≤ 2	≤ 0.05-0.3



Sealco House, Maypole Fields Halesowen, West Midlands, UK, B63 2QB

T: (+44)1384 413058 E: sales@sealco.co.uk W: www.sealco.co.uk