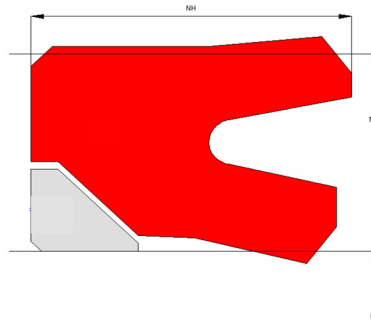


# Profile Data Rod Seal RS02



## Function

Rod seals are designed to seal the pressurized hydraulic fluid against the atmosphere, preventing leakage and pollution of the environment.

## Features

- ⇒ Asymmetrical, single acting rod seal, designed with interference on the OD which provides a good static fit in the groove.
- ⇒ Dynamic sealing lip shorter than static lip to avoid drag pressure.
- ⇒ Excellent static and dynamic sealing performance.
- ⇒ Useable for long stroke lengths.
- ⇒ Negligible tendency to “stick-slip” effect above a speed of 0.15 m/s. For lower speeds the dynamic lip should be redesigned (shorter, stiffer).
- ⇒ Activated back-up rings prevent and reduce gap extrusion.

## Application

Reciprocation rods in hydraulic cylinders, plungers.

Universal rod seal for larger extrusion gaps and higher load impacts.

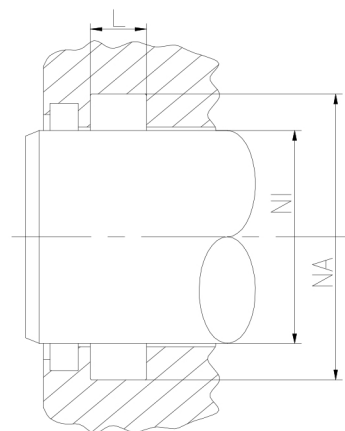
Max. pressure 700 bar, max. speed 0.5 m/s, depending on material selection.

## Installation

Snap-in installation.

## Seal housing recommendation

<b>Tolerances</b>	<b>[mm]</b>	
L < 10mm	+ 0.2	
L ≥ 10mm	+ 0.3	
∅ NA	H10	
∅ NI	f 8	
<b>Surface roughness</b>	<b>Rtmax [μ]</b>	<b>Ra [μ]</b>
Bottom of groove	≤ 6.3	≤ 1.6
Face of groove	≤ 15	≤ 3
<b>Sliding surface</b>	<b>Rtmax [μ]</b>	<b>Ra [μ]</b>
PU, elastomer	≤ 2.5	≤ 0.1-0.5
PTFE	≤ 2	≤ 0.05-0.3



Sealco House, Maypole Fields Halesowen, West Midlands, UK, B63 2QB

T: (+44)1384 413058 E: sales@sealco.co.uk W: www.sealco.co.uk