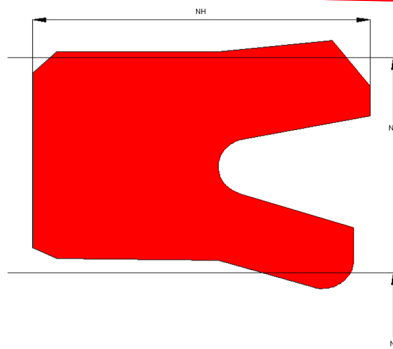


Profile Data

Rod Seal RS05



Function

Rod seals are designed to seal the pressurized hydraulic fluid or air against the atmosphere or between two pressurized spaces.

Features

- ⇒ Asymmetrical, single acting rod seal for pneumatic applications, designed with interference on the OD which provides a good static fit in the groove.
- ⇒ Special designed sealing lip to retain the lubrication film and prevent dry running.
- ⇒ Excellent static and dynamic sealing performance.
- ⇒ Useable for long stroke lengths.
- ⇒ Negligible tendency to “stick-slip”, small break-away loads after long standstill.

Application

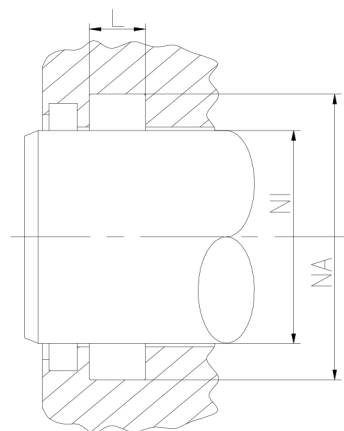
Reciprocating rods in pneumatic cylinders, suitable for dry and lubricated air.
 Universal rod seal for small extrusion gaps and minor load impacts.
 Max. pressure 25 bar, max. speed 1 m/s.

Installation

Snap-in installation.

Seal housing recommendation

Tolerances	[mm]	
L < 10mm	+ 0.2	
L ≥ 10mm	+ 0.3	
∅ NA	H9	
∅ NI	h10	
Surface roughness	Rtmax [μ]	Ra [μ]
Bottom of groove	≤ 6.3	≤ 1.6
Face of groove	≤ 15	≤ 3
Sliding surface	Rtmax [μ]	Ra [μ]
PU, elastomer	≤ 2.5	≤ 0.1-0.5
PTFE	≤ 2	≤ 0.05-0.3



Sealco House, Maypole Fields Halesowen, West Midlands, UK, B63 2QB

T: (+44)1384 413058 E: sales@sealco.co.uk W: www.sealco.co.uk