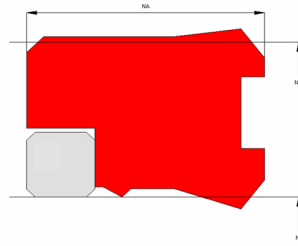


Profile Data

Rod Seal RS17E



Function

Rod seals are designed to seal the pressurized hydraulic fluid against the atmosphere, preventing leakage and pollution of the environment.

Features

- ⇒ Asymmetrical, single acting rod seal, designed with interference on the OD which provides a good static fit in the groove.
- ⇒ Special design for small cross sections where lips would be too thin.
- ⇒ Secondary lip for stabilising at large seal heights and reducing the residual oil film.
- ⇒ Activated back-up ring prevents and reduces gap extrusion.
- ⇒ Excellent static and dynamic sealing performance.
- ⇒ Excellent performance over all pressure ranges.
- ⇒ Used for short pulsating strokes.
- ⇒ No reverse leakage when changing direction.
- ⇒ Recommended for positioning or holding under pressure.
- ⇒ Particularly suitable for high viscosity media.

Application

Reciprocating pistons/rods in hydraulic cylinders, push rods, fittings etc.
 Switching or clamping functions.
 Replacement for rubber fabric seals.
 Max. pressure 400 bar, max. speed 0.3 m/s.

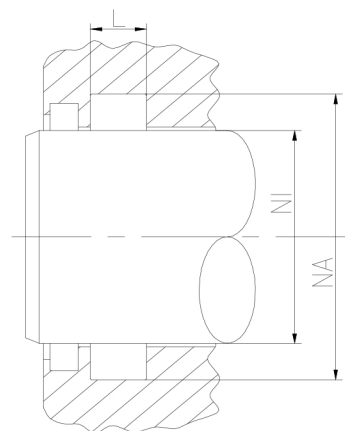
Installation

Snap-in installation.

We recommend to maintain a nominal width/seal height ration (CS/NH) above 1/1,25.

Seal housing recommendation

Tolerances	[mm]	
L < 10mm	+ 0.2	
L ≥ 10mm	+ 0.3	
∅ NA	H10	
∅ NI	f 8	
Surface roughness	Rtmax [μ]	Ra [μ]
Bottom of groove	≤ 6.3	≤ 1.6
Face of groove	≤ 15	≤ 3
Sliding surface	Rtmax [μ]	Ra [μ]
PU, elastomer	≤ 2.5	≤ 0.1-0.5
PTFE	≤ 2	≤ 0.05-0.3



Sealco House, Maypole Fields Halesowen, West Midlands, UK, B63 2QB

T: (+44)1384 413058 E: sales@sealco.co.uk W: www.sealco.co.uk