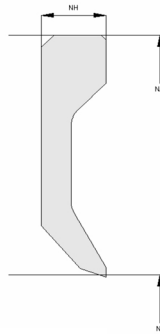


Profile Data Wiper WR07



Function

Wipers are designed to keep dust, dirt, sand and others off the rod and the sealing and guiding elements, avoiding abrasive damage caused by external contamination. WR07 wipers are designed to work as an initial wiper, protecting the elastomer wiper from hard encrusted dirt or ice on the rod.

Features

- ⇒ The profile is designed with a slight interference on the OD which provides a good static fit, preventing the entry of humidity and other contamination via the outside diameter.
- ⇒ Wiper is made in hard plastics (POM, PEEK, etc.) or hard grade PU which ensures high stiffness, breaking strength and stability.
- ⇒ Good dry running properties.
- ⇒ Not suitable for pressure from the trailing side.
- ⇒ Special designed housings required.

Application

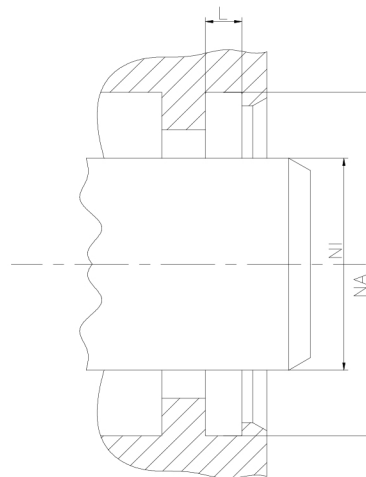
Reciprocation rods in hydraulic cylinders, plungers.
Max. pressure 0 bar, max. speed 1 m/s.

Installation

Snap-in installation.

Seal housing recommendation

Tolerances	[mm]	
L	+ 0.2	
∅ NA	H9	
∅ NI	h10	
Surface roughness	Rtmax [μ]	Ra [μ]
Bottom of groove	≤ 6.3	≤ 1.6
Face of groove	≤ 15	≤ 3
Sliding surface	Rtmax [μ]	Ra [μ]
PU, elastomers	≤ 2.5	≤ 0.1-0.5
PTFE	≤ 2	≤ 0.05-0.3



Sealco House, Maypole Fields Halesowen, West Midlands, UK, B63 2QB

T: (+44)1384 413058 E: sales@sealco.co.uk W: www.sealco.co.uk