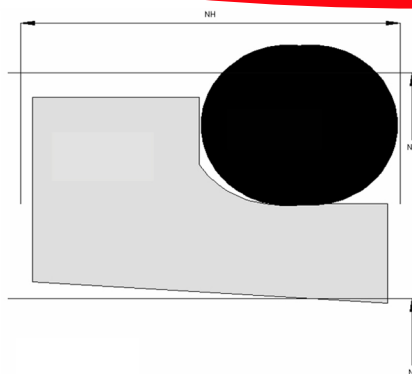


Profile Data Wiper WR14



Function

Wipers are designed to keep dust, dirt, sand and others off the rod and the sealing and guiding elements, avoiding abrasive damage caused by external contamination.

Features

- ⇒ The profile is designed with one sharp lip for wiping off any dirt on the rod. The residual oil film is recovered.
- ⇒ The wiper consists of a PTFE wiping part and an O-Ring as preload element, maintaining contact pressure on the rod.
- ⇒ Due to the use of an O-Ring the wiper is able to compensate deflections of the rod.
- ⇒ Good dry running properties.
- ⇒ No "stick-slip".
- ⇒ Pressure on the trailing side should be avoided.
- ⇒ For housings acc. to ISO 6195 Type D.

Application

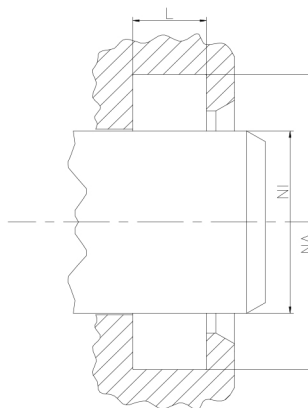
Reciprocation rods in hydraulic cylinders, swivelling and coiling rods, plungers.

Installation

Snap-in installation for wipers bigger 25mm otherwise a partite groove is recommended. A large insertion chamfer needs to be provided (angle 20-30°).

Seal housing recommendation

Tolerances	[mm]	
L < 10mm	+ 0.2	
L ≥ 10mm	+ 0.3	
∅ NA	H11	
∅ NI	f 8	
Surface roughness	Rtmax [μ]	Ra [μ]
Bottom of groove	≤ 6.3	≤ 1.6
Face of groove	≤ 15	≤ 3
Sliding surface	Rtmax [μ]	Ra [μ]
PU, elastomer	≤ 2.5	≤ 0.1-0.5
PTFE	≤ 2	≤ 0.05-0.3



Sealco House, Maypole Fields Halesowen, West Midlands, UK, B63 2QB

T: (+44)1384 413058 E: sales@sealco.co.uk W: www.sealco.co.uk