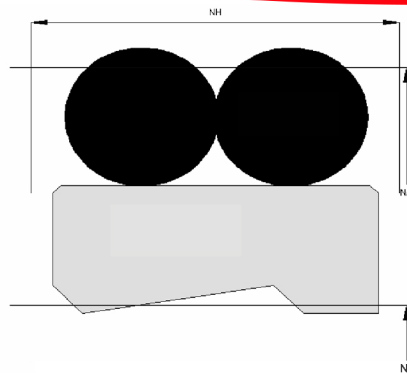


# Profile Data Wiper WR15



## Function

Wipers are designed to keep dust, dirt, sand and others off the rod and the sealing and guiding elements, avoiding abrasive damage caused by external contamination.

## Features

- ⇒ The profile is designed with two geometric different lips for wiping off any dirt on the rod and to reduce the residual oil film on the medium side.
- ⇒ The wiper consists of a PTFE wiping part and two O-Rings as preload element, maintaining contact pressure on the rod.
- ⇒ Due to the use of an O-Ring the wiper is able to compensate deflections of the rod.
- ⇒ Mainly used in combination with rod seal RS09B.
- ⇒ Pressure should be limited to 15bar.
- ⇒ For housings acc. to ISO 6195 Type D.

## Application

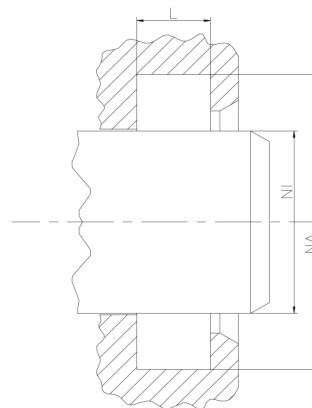
Reciprocation rods in hydraulic cylinders, swivelling and coiling rods, plungers.

## Installation

Snap-in installation for wipers bigger 25mm otherwise a partite groove is recommended. A large insertion chamfer needs to be provided (angle 20-30°).

## Seal housing recommendation

<b>Tolerances</b>	<b>[mm]</b>	
L < 10mm	+ 0.2	
L ≥ 10mm	+ 0.3	
∅ NA	H11	
∅ NI	f 8	
<b>Surface roughness</b>	<b>Rtmax [μ]</b>	<b>Ra [μ]</b>
Bottom of groove	≤ 6.3	≤ 1.6
Face of groove	≤ 15	≤ 3
<b>Sliding surface</b>	<b>Rtmax [μ]</b>	<b>Ra [μ]</b>
PU, elastomer	≤ 2.5	≤ 0.1-0.5
PTFE	≤ 2	≤ 0.05-0.3



Sealco House, Maypole Fields Halesowen, West Midlands, UK, B63 2QB

T: (+44)1384 413058 E: sales@sealco.co.uk W: www.sealco.co.uk