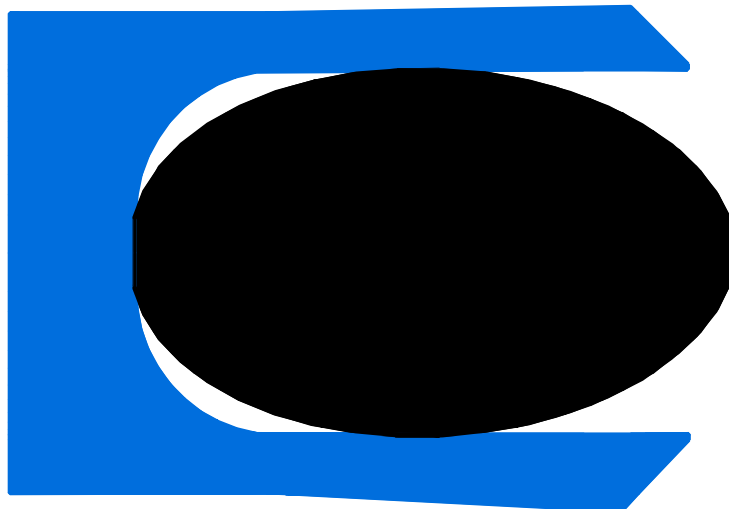


O.L. Seals A/S

Rod Seals

Kefloy C-Cap® type 2607-



Single acting rod seal. For reciprocating and static applications.

Consists of a jacket of Kefloy energized by a rubber O-Ring.



C-Cap® Type 2607-

Is a SINGLE ACTING rod seal.

It is basically a U-Cup energized by a rubber O-Ring.

C-Cap® is pressure responsive.

C-Cap® can be used with a great variety of fluids. Kefloy® is compatible with virtually all fluids.



Working Range

Pressure

Up to 80 MPa. For pressures exceeding 40 MPa, please contact your O.L. Seals distributor.

Temperature

-50°C to + 200°C. For temperatures exceeding this temperature range, please contact your O.L. Seals distributor.

Velocity

Reciprocating up to 5 m/sec. Frequency: Up to 5 HZ. Should not be used for rotating or oscillating applications.

Fluids

Kefloy® is compatible with virtually all Fluids – liquids as well as gases. By selecting the right compound for the O-Ring energizer, it is possible to cover almost all fluids.

Advantages

- Good wear resistance
- Low friction
- No stick-slip

- Simple groove design
- Compatible with virtually all fluids
- Available for all diameters up to 2.500 mm

Material Selection Guide

Fluid	Mating surface	SharpSeal® compound
Hydraulic oil	Steel	Kefloy® 13
Motor oil	Chrome plated steel	Kefloy® 85
Grease	Cast iron	
Other mineral oils		
Water	Aluminium	Kefloy® 22
Water hydraulic	Stainless steel	Kefloy® 90
Steam	Bronze	
Non lubricating fluids	Soft metals	
Air, dry or lubricated	Steel	Kefloy® 22
	Chrome plated steel	Kefloy® 28
	Cast iron	Kefloy® 90
	Aluminium	
	Stainless steel	
	Bronze	
	Soft metals	

Fluid	O-Ring compound
Hydraulic oil	
Motor oil	NBR (Buna N)
Grease	
Other mineral oils	At temperatures above 120°C use Viton O-Rings
Water, cold	
Water hydraulic	
Air, lubricated	
Water, hot	EPDM
Steam	
Synthetic hydraulic fluids	Special compounds

O-Ring manufacturer's recommendation for the actual fluid should always be followed.

For other fluids or sealing surfaces, please consult your O.L. Seals distributor.



Seal Selection Guide

Sealing efficiency

Due to the design of the seal, the sealing efficiency is rather low. The seal should not be used for reciprocating applications where a dry cylinder is required.

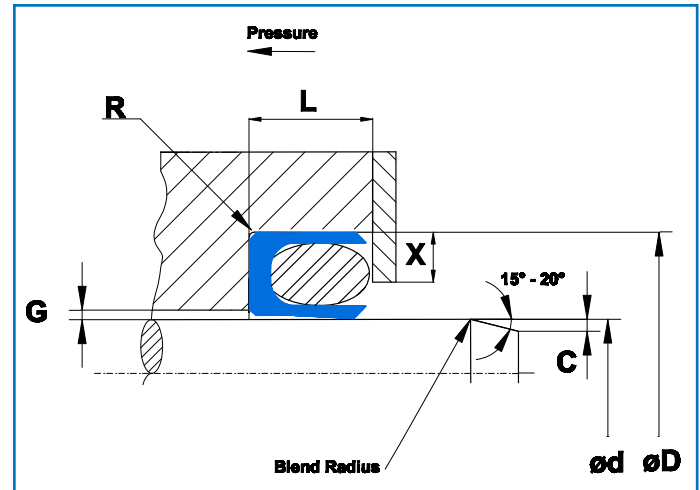
Installation

As the seal is rather rigid it will in most cases require a split groove.

Ordering Example

Rod diameter: 105.7 mm

Part no 26072-1057-90
 C-Cap® Type _____
 Series _____
 Rod dia. x 10 _____
 Compound no _____
 O-Ring size 104.37 x 3.53
 O-Ring to be ordered separately



Installation dimensions

Notches

In systems with rapid pressure changes, e.g. power steering systems, it is necessary to furnish the C-Cap® with sidewall notches. The notches ensure a quick seal response to pressure changes.

To order C-Cap® with notches – add suffix “N” behind the compound code.

Example: 26083-4220-13N

C-Cap Part no	ød Rod dia.	øD Groove dia.	L Groove width	R Radius	G Radial gap		C Chamfer	O-ring ID	O-ring cross sec.
					20MPa (200 bar)	40MPa (400 bar)			
	f7	H8	+ 0.2 - 0	Max.					
26070	10-70	ød+4.8	3.4	0.2	0.2	0.10	1.3	ød	1.78
26071	18-110	ød+6.4	4.5	0.3	0.3	0.15	2.0	ød	2.62
26072	38-120	ød+10.0	6.8	0.4	0.4	0.20	2.5	ød	3.53
26073	115-500	ød+12.8	9.0	0.6	0.5	0.25	3.0	ød	5.33

O-Ring Size

O-Ring cross section according to installation dimensions.

O-Ring I.D. as close to ød as possible.

O-Ring I.D. not bigger than ød +3%

O-Ring I.D. not smaller than ød -5%

Important Note

The limits of pressure, temperature and velocity are individual maximum values. Heat generated by the friction may cause local increase of temperature. The cooling possibilities for the system determines the combinations of maximum values.